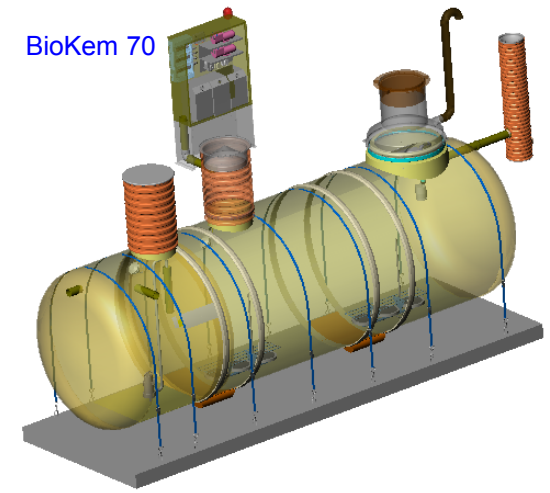
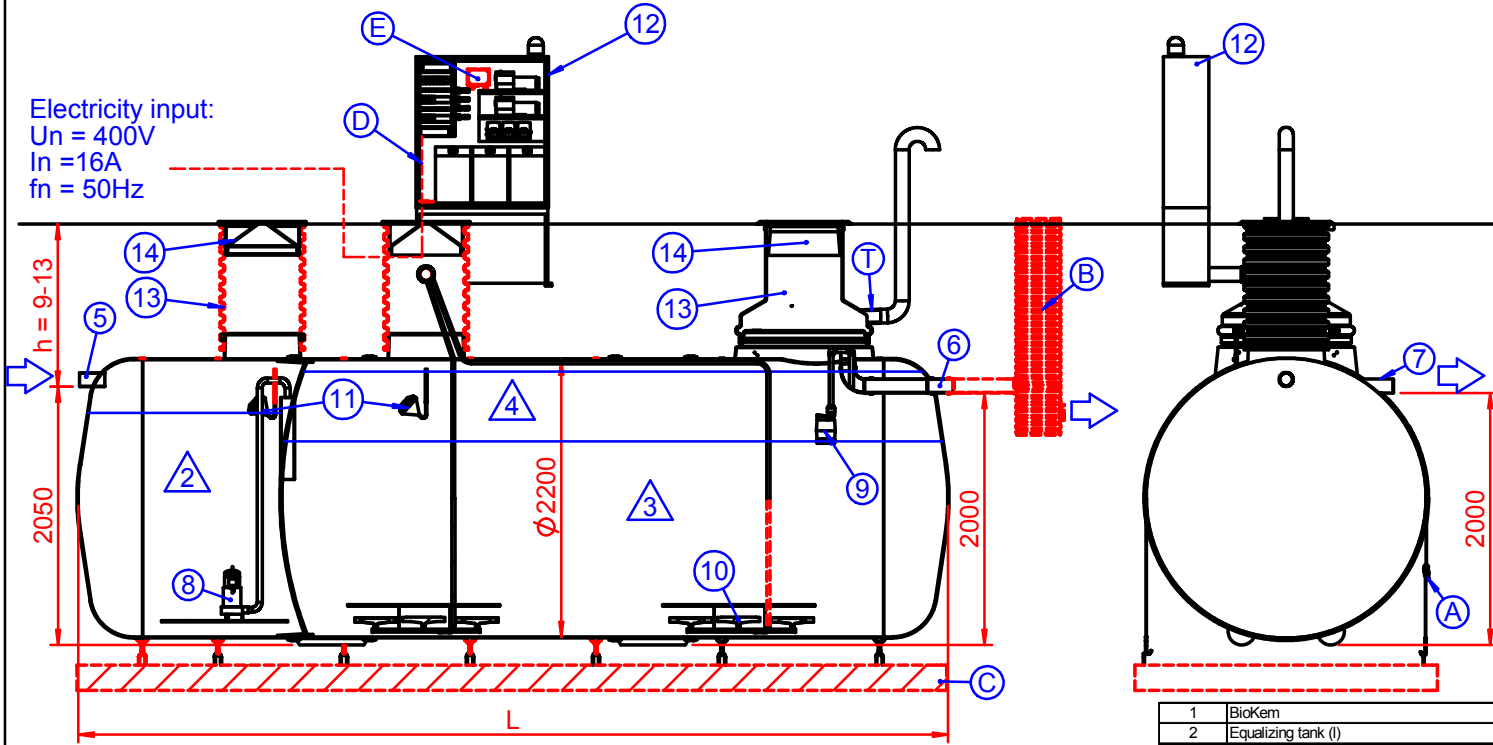
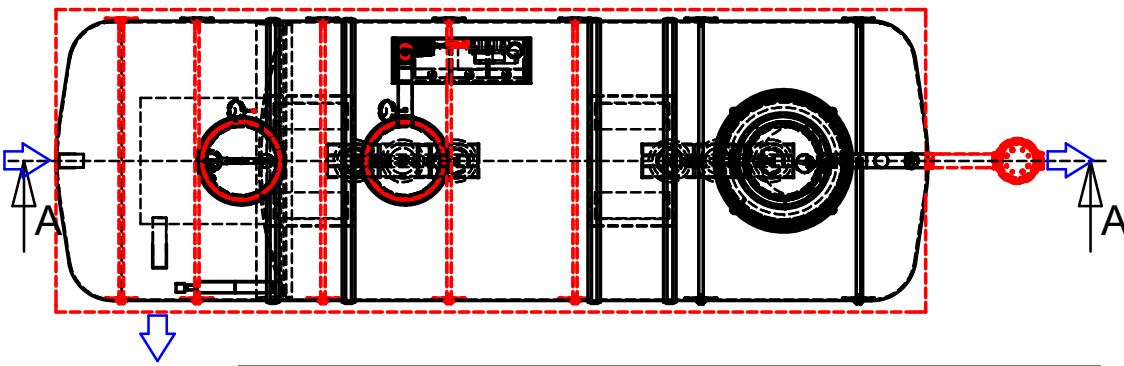


Electricity input:
 $U_n = 400V$
 $I_n = 16A$
 $f_n = 50Hz$



BioKem 70

Det. A-A



| | | | | | | | | | |
|----|--|-----------------------|----------|----------|----------|----------|----------|----------|----------|
| 1 | BioKem | 20 | 30 | 40 | 50 | 60 | 70 | 80 | 90 |
| 2 | Equalizing tank (l) | 3000 | 3000 | 3000 | 4000 | 4000 | 5000 | 5000 | 5000 |
| 3 | Process tank (l) | 5300 | 8200 | 10100 | 13400 | 16100 | 18200 | 20200 | 24100 |
| 4 | Capacity (l/d) | 3000 | 4500 | 6000 | 7500 | 9000 | 10500 | 12000 | 13500 |
| 5 | Inlet sewer (mm) | D110 (D160 as needed) | | | | | | | |
| 6 | Outlet sewer (mm) | D110 (D160 as needed) | | | | | | | |
| 7 | Overflow pipe (mm) | D110 | | | | | | | |
| 8 | Shredding submersible pump | 1 | | | | | | | |
| 9 | Submersible pump | 1 | | | | | | | |
| 10 | Aerator unit | 1 | 1 | 2 | 2 | 2 | 2 | 3 | 3 |
| 11 | Level switch | 2 | | | | | | | |
| 12 | Device cover | 1 | | | | | | | |
| | Control unit | 1 | 1 | 1 | 1 | 1 | 1 | 1 | 1 |
| | Compressor | 1 | 1 | 1 | 2 | 2 | 1 | 1 | 2 |
| | Chemical pump | 2 | 2 | 3 | 3 | 3 | 3 | 3 | 3 |
| | Chemical canister | 2 | 2 | 3 | 3 | 3 | 3 | 3 | 3 |
| 13 | Maintenance shaft D600 PP/EuroHUK | 1/1 | 1/1 | 1/1 | 2/1 | 2/1 | 2/1 | 2/1 | 2/1 |
| 14 | Covers D600 (plastic/cast-iron) | 1/1 | 1/1 | 1/1 | 2/1 | 2/1 | 2/1 | 2/1 | 2/1 |
| L | Total length | 2700 | 3500 | 4100 | 5200 | 6000 | 6900 | 7400 | 8500 |
| h | Connection height from ground min/max (mm) | 900/1300 | 900/1300 | 900/1300 | 900/1300 | 900/1300 | 900/1300 | 900/1300 | 900/1300 |

| ACCESSORY | | | | | | | | | |
|-----------|------------------------------------|--|---|---|---|---|---|---|---|
| A | Anchoring belt 35 mm/2500 kg (pcs) | 3 | 4 | 4 | 5 | 6 | 7 | 7 | 8 |
| B | Sampling shaft D315 | | | | | | | | |
| C | Concrete base plate | Not included | | | | | | | |
| D | Cabel for electricity input | Not included (e.g. MCMK 4 x 2.5 + 2.5, over 50 m cable MCMK 4 x 6 + 6) | | | | | | | |
| E | Labcom Data Transfer Unit | | | | | | | | |
| T | Ventilation outlet | Ventilation pipe not included | | | | | | | |

This drawing and the technical information included in the drawing are property of Wavin-Labko Ltd. This drawing can not be shown to a third party without the consent of Wavin-Labko Ltd.

Title: **LABKO BIOKEM 20-90 wastewater treatment plant** Drawing type: **Customer Drawing**

Design by: **TJ/JS** Approved by: **HT 07.12.2005** Drawing no.: **53EB02be** Date: **07.12.2005** Scale (A4): **1:60**

wavin **Labko** WAVIN-LABKO LTD
 Labkotie 1
 FIN-36240 KANGASALA
 FINLAND
 tel. + 358 20 128 5200
 fax. + 358 20 128 5280

Construction site: