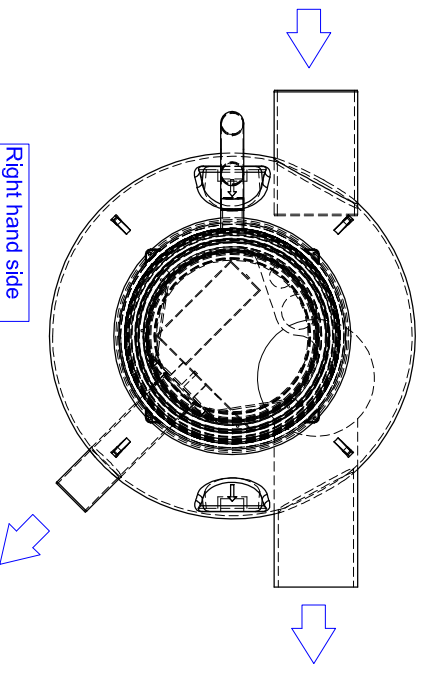
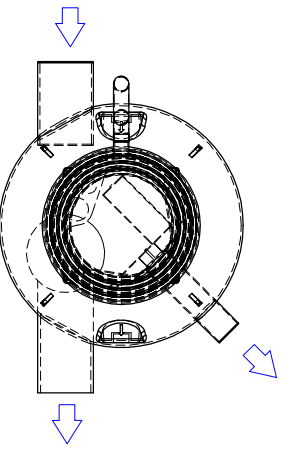


Right hand side  
standard product



Left hand side  
special product



Right hand side standard product  
Left hand side, special order [ 1 ]

h = Separator connection height from ground (mm)  
h = \_\_\_\_\_ mm

1	LABKO FRW		20/200	30/300
	Nominal flow rate		l/s 20	30
A	Inlet and bypass sewer		l/s 200	300
	D		400	500
B	Outlet sewer		D 250	250
C	Bottom/Inlet sewer		mm 700	900
D	Bottom/bypass sewer		mm 850	1100
E	Bottom/outlet sewer		mm 650	850
F	Ventilation pipe D110	pcs	1	1
G	Diameter	mm	1780	2170
H	Height	mm	1660	2100
h <sub>min</sub>	Min. connection height	mm	1300	1700
h <sub>max</sub>	Max. connection height	mm	2900	3300
I	Flow regulator	pcs	1	1
	Material		PE-MD	PE-MD
	Chosen Labko FRW	(X)	( )	( )
<b>ACCESSORY</b>				
2	EuroHUK 800 maintenance shaft, material PE-MD		1300..	1700..
	h = connection height from ground (mm)		2900	3300
3	EuroHUK 800 h9-13, h= 1300...1700 or 1700...2100 mm	(X)	( )	( )
	EuroHUK 800 h13-17, 1700...2100 or 2100...2500 mm	(X)	( )	( )
	EuroHUK 800 h17-21, 2100...2500 or 2500...2900 mm	(X)	( )	( )
	EuroHUK 800 h21-25, 2500...2900 or 2900...3300 mm	(X)	( )	( )
4	Floating adjustable frame D800	(X)	( )	( )
	Cast iron cover 40 tn	(X)	( )	( )
4	Anchoring belt 6m (polyester belt, 2000 kg), 4 pcs	(X)	( )	( )

Title  
Labko FRW NS20/200 and 30/300

Design By: /JJP Approved By: TP 17.11.2008 Drawing no. 42AB02de Date: 17.11.2008 Scale 1: A4



**WAVIN**  
Labkoite 1  
FIN-36240 KANGASALA  
FINLAND  
tel. + 358 20 128 5200  
fax. + 358 20 128 5280

Construction site:

Drawing type:  
Customer Drawing

This drawing and the technical information included in the drawing are property of Wavin-Labko Ltd. This drawing can not be shown to a third party without the consent of Wavin-Labko Ltd.