

NOTE!
If you make any changes on the drawing, mark (x) in the square
Changes made on the drawing:

GENERAL:

It is not allowed to release wastewater to public sewer system if wastewater may cause damages to sewers or may have negative effect on wastewater treatment plant performance. NEUTRA is used to adjust the pH of the wastewater to the level that is acceptable when wastewater is released to the sewer system.

NEUTRA is used to treat wastewater e.g. from laboratories, printing houses, chemical and food industry and finishing plants.

This drawing and the technical information included in the drawing are property of Wavin-Labko. All the national regulations concerning this product have to be checked before purchase of the product. Installation have to be done according to installation manual.

Approved by customer: _____

230V
Neutralizing control unit

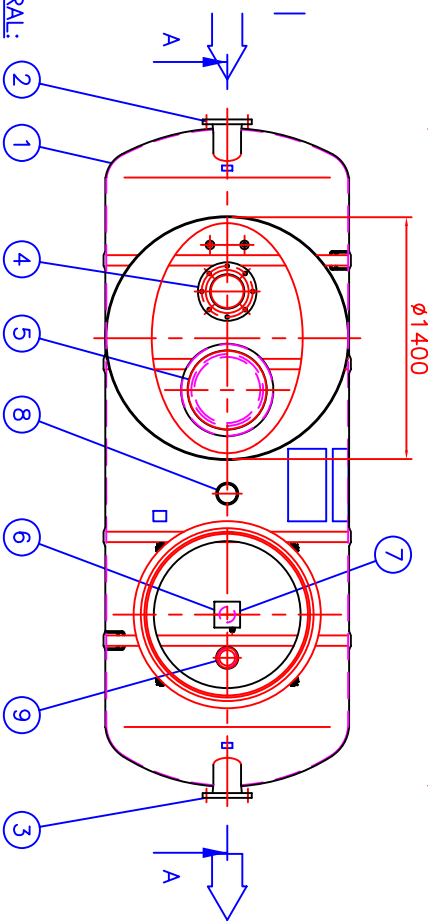
OPERATION:

Wastewater that has to be neutralized is led into the NEUTRA through inlet sewer. pH of the wastewater is measured with pH probe and central unit. There are two adjustable pH limits in the central unit. With the pH limits the amount of the addition of acid/base is controlled. At the same time with acid/base addition wastewater is mixed by the mixer. time with acid/base addition wastewater is mixed by the mixer.

NEUTRA can be supplied with only acid or base neutralization or with both. Dimensioning of the NEUTRA is based on the 10 % HCL solution in cases where pH is too high and 10% NaOH solution in cases where pH is too low. In cases where pH can be both too high or low NEUTRA is equipped with two separate acid/base pumps.

h = Neutralizing tank connection height from ground (mm)

h = _____ mm



Max. flow rate 4.0 l/s (20 min Retention time)

16	EuroHUK 600 maintenance shaft (as needed), material: PE plastic	<input type="checkbox"/>	h = 900...1300 mm
	EuroHUK 600 h = 9-13 (x)	<input type="checkbox"/>	h = 900...1300 mm
	EuroHUK 600 h = 13-17	<input type="checkbox"/>	h = 1300...1700 mm
	EuroHUK 600 h = 17-21	<input type="checkbox"/>	h = 1700...2100 mm
	EuroHUK 600 h = 21-25	<input type="checkbox"/>	h = 2100...2500 mm
15	GRP-HUK 1400/2x600 maintenance shaft (as needed), material: GR plastic	<input type="checkbox"/>	h = 900...1300 mm
	GRP-HUK 1400/2x600 h = 9-13 (x)	<input type="checkbox"/>	h = 900...1300 mm
	GRP-HUK 1400/2x600 h = 13-17	<input type="checkbox"/>	h = 1300...1700 mm
	GRP-HUK 1400/2x600 h = 17-21	<input type="checkbox"/>	h = 1700...2100 mm
	GRP-HUK 1400/2x600 h = 21-25	<input type="checkbox"/>	h = 2100...2500 mm
14	ACCESSORY: Flooding adjustable cover Ø600, 5...40 tn (3 pcs)	<input type="checkbox"/>	
13	Dosing pump for neutralization liquid	<input type="checkbox"/>	
12	Tank for neutralization liquid	PEHD	200 l (D670, H=760 mm)
	Acid neutralization (pH decreases) (x)	<input type="checkbox"/>	
	Alkali neutralization (pH increases)	<input type="checkbox"/>	
11	Skid	GR plastic	
10	Total volume		5000 l
9	Sampling outlet PVC with cap	PVC	D110
8	Ventilation outlet	PVC	D110
7	SET automatic level control	SET/K probe	
6	pH -measuring		
5	Maintenance hole with odour-proof cover, PEH	D455/382	
4	Propeller mixer		0.75 kW/1000 rpm
3	Outlet sewer	GR plastic	DN150
2	Inlet sewer	GR plastic	DN150
1	Material: GR Plastic "Lasa Composit", pH2-11/+20°C, Ø1.4 L=3.8 m		

Product: _____ Title: LABKO NEUTRA 5000 neutralizing tank

Design by: _____ Checked by: _____ Approved by: _____ Drawing no. 70NB02_e Date: 25.08.03 Scale: _____

HK/TJ/JS TU 25.08.03 Drawing no. 70NB02_e Date: 25.08.03 Scale: _____



WAVIN
Labkoite 1
FIN-36240 KANGASALA
FINLAND
Tel. +358-020-1285 200
Fax +358-020-1285 280

Labko

WAVIN-LABKO
Labkoite 1
FIN-36240 KANGASALA
FINLAND
Tel. +358-020-1285 200
Fax +358-020-1285 280

Construction site: _____

Drawing type CUSTOMER DRAWING